

Installation Guide

Walk Through Metal Detector: ZK-D4330

Version: 1.0

Date: June, 2017

Contents

| | |
|---------------------------|----|
| Notes | 1 |
| Packing List | 2 |
| Parts..... | 3 |
| Installation | 4 |
| Technical Parameters..... | 13 |
| Factory Settings | 14 |

Notes

PLEASE READ THE FOLLOWING INSTRUCTION CAREFULLY BEFORE INSTALLATION:



1. It's normal for indoor use. If it needs long-term outdoor work, please use canopy to protect it against rain.
2. Install the device steadily on a smooth ground without vibration. Violent shaking may cause the device to report false alarms.
3. Choose to install in areas away from high frequency devices and large mobile metals to avoid interference.
4. Before installation, you must distinguish between the right and left door panel and the location of the corresponding identification.
5. Pay attention to bolts and screws of the connecting parts of the door body to ensure that the door body is firmly installed without shaking.
6. Make sure the circuits are connected correctly and firmly.
7. When installing the devices side by side, you should pay attention to setting up different working channel to avoid interference.
8. Each device has a warranty card, with which users can have their devices maintained or repaired free of charge within the warranty period.

Packing List

Thank you for purchasing the walk through metal detectors of our company. Please check whether the articles in the packing list are all contained in the packing case. Contact us if any article is missing or damaged.

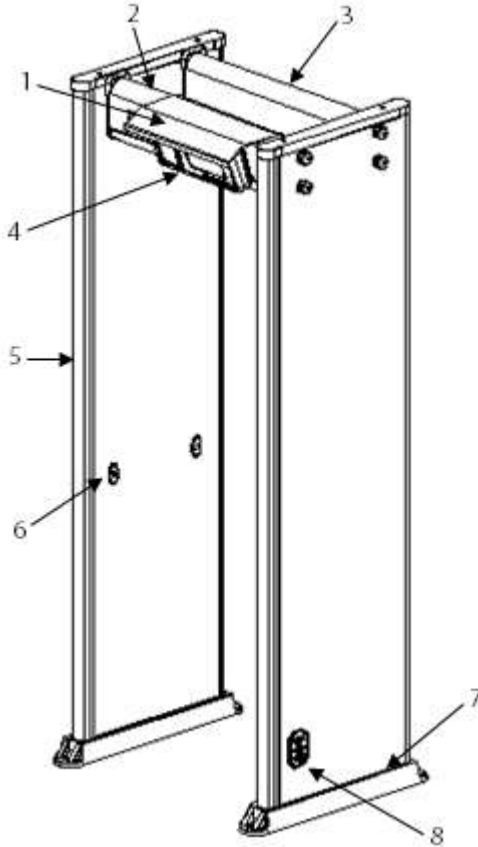
Packing list:

| | |
|---|---|
| (1) L side panel | 1 |
| (2) R side panel | 1 |
| (3) Front beam | 1 |
| (4) Rear beam | 1 |
| (5) Accessory box | 1 |
| (6) (Optional) Universal wheel | 4 |
| (7) (Optional) Transparent rainproof canopy | 1 |

Accessory box list:

| | |
|------------------------------|----|
| (1) Host | 1 |
| (2) Adjustable metal bracket | 1 |
| (3) Power adapter | 1 |
| (4) Remote control | 1 |
| (5) Bolt | 10 |
| (6) Hexagon wrench | 1 |
| (7) Allen screw | 4 |
| (8) User manual | 1 |
| (9) Signal cable connector | 1 |

Parts

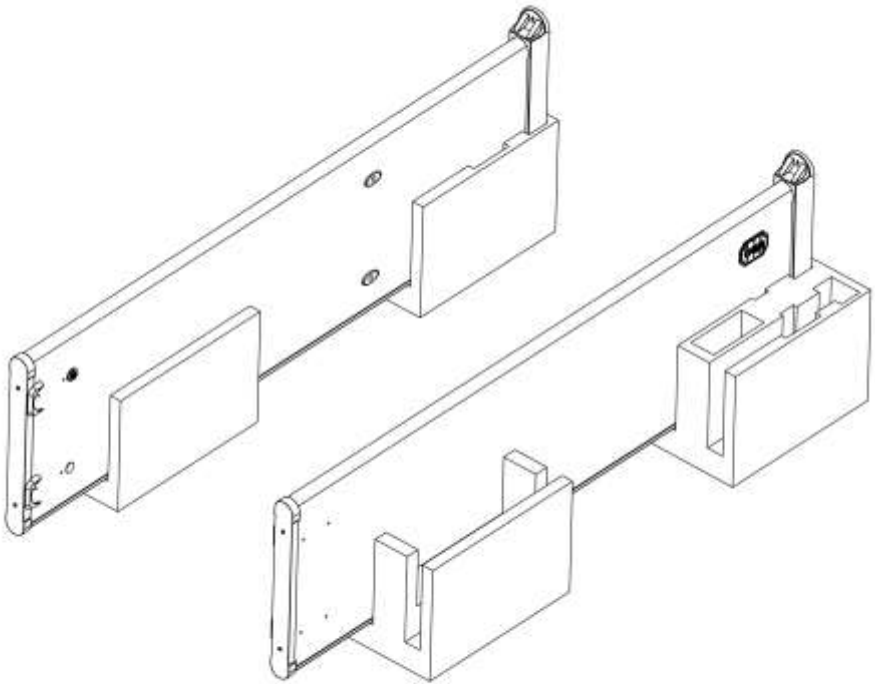


- 1. (Optional) Transparent rainproof canopy
- 2. Front beam
- 3. Rear beam
- 4. Host
- 5. Alarm zone LED
- 6. Infrared sensors
- 7. Waterproof foot cover
- 8. Power interface, power button, and reserved linkage interface

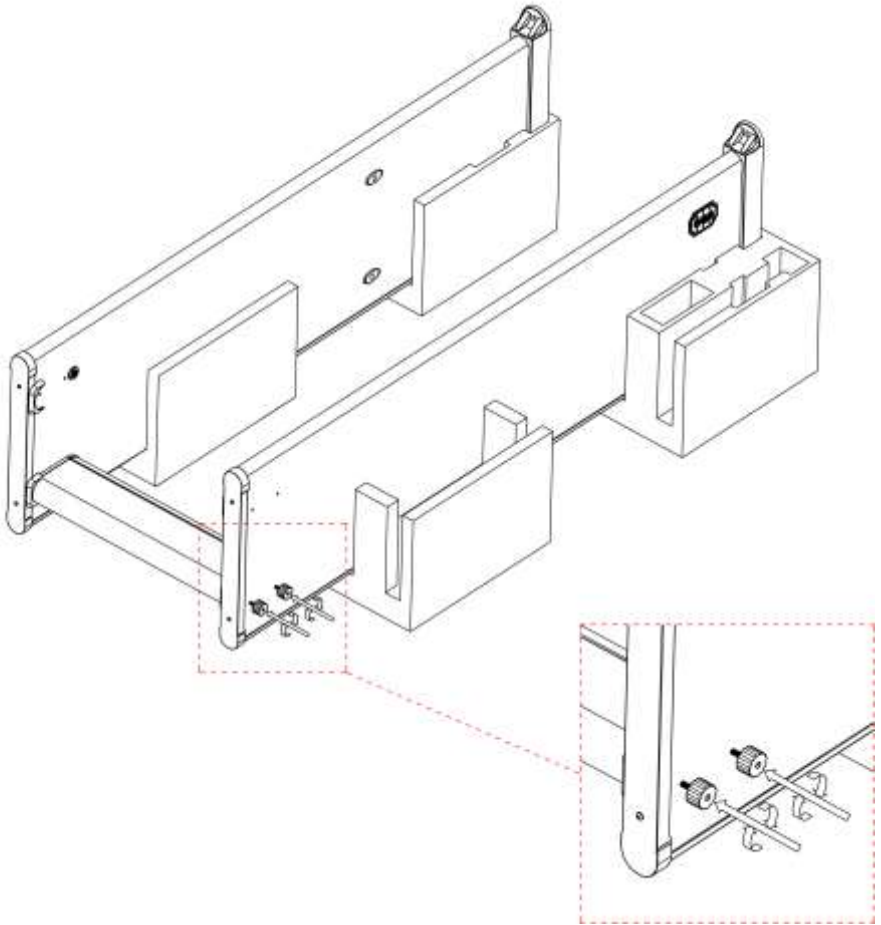
Installation

After reading the installation notes and checking the packing list items, follow the following steps to install.

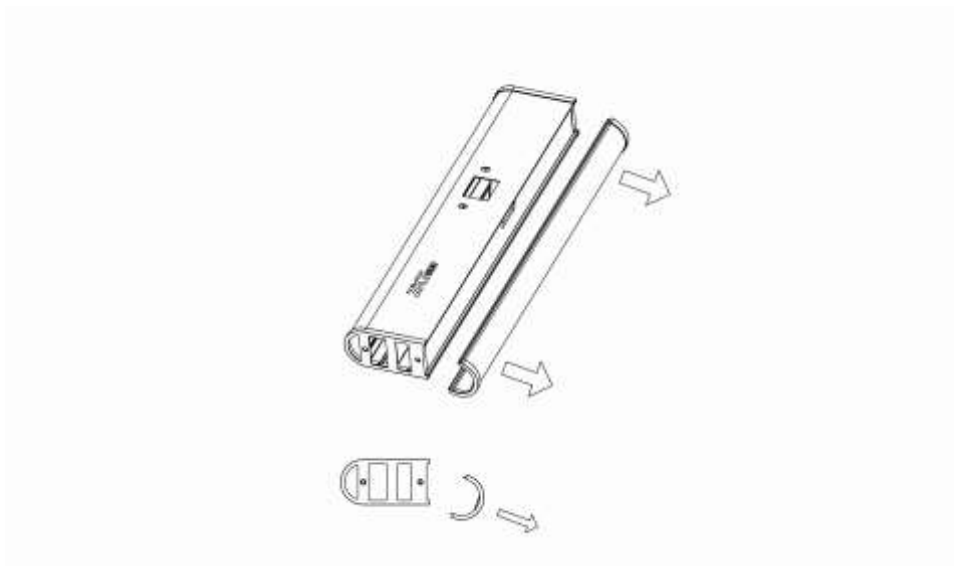
Step 1: Open the package and place the left and right door panel on the ground as shown below.



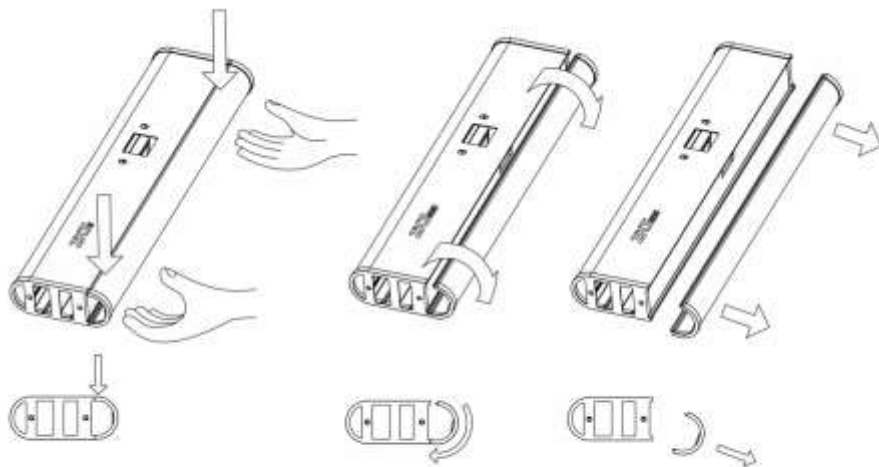
Step 2: Connect the back beam with the left and right doors with bolts, as shown below. (Be careful not to tighten the bolts at this step)



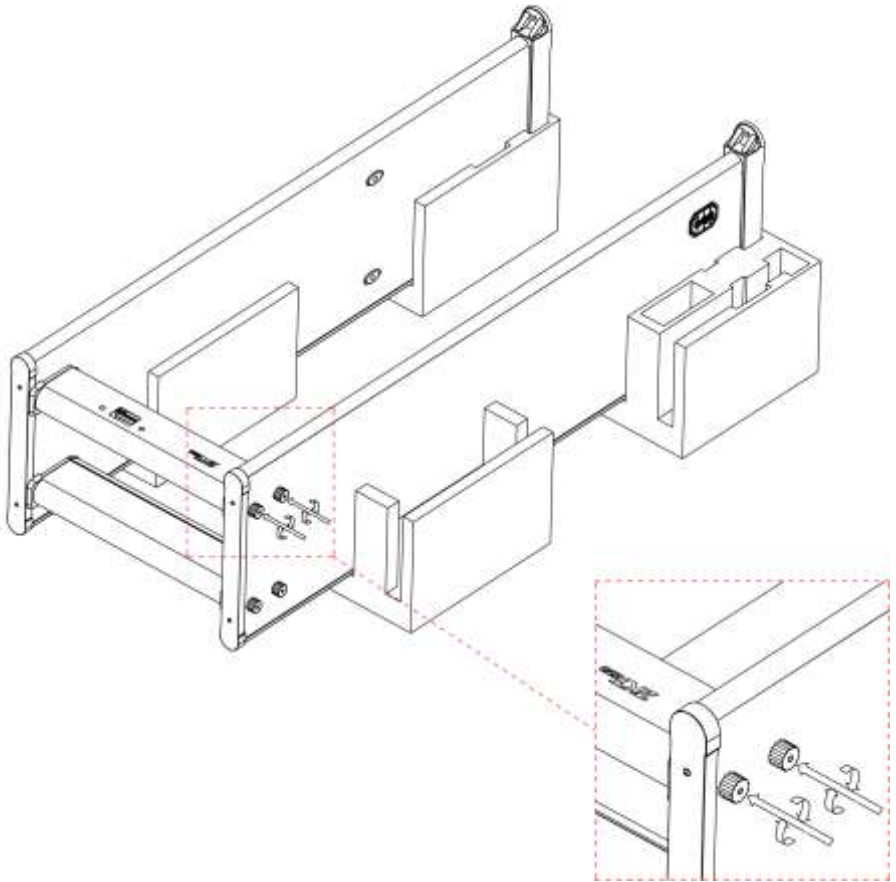
Step 3: Open the host beam cover as shown below.



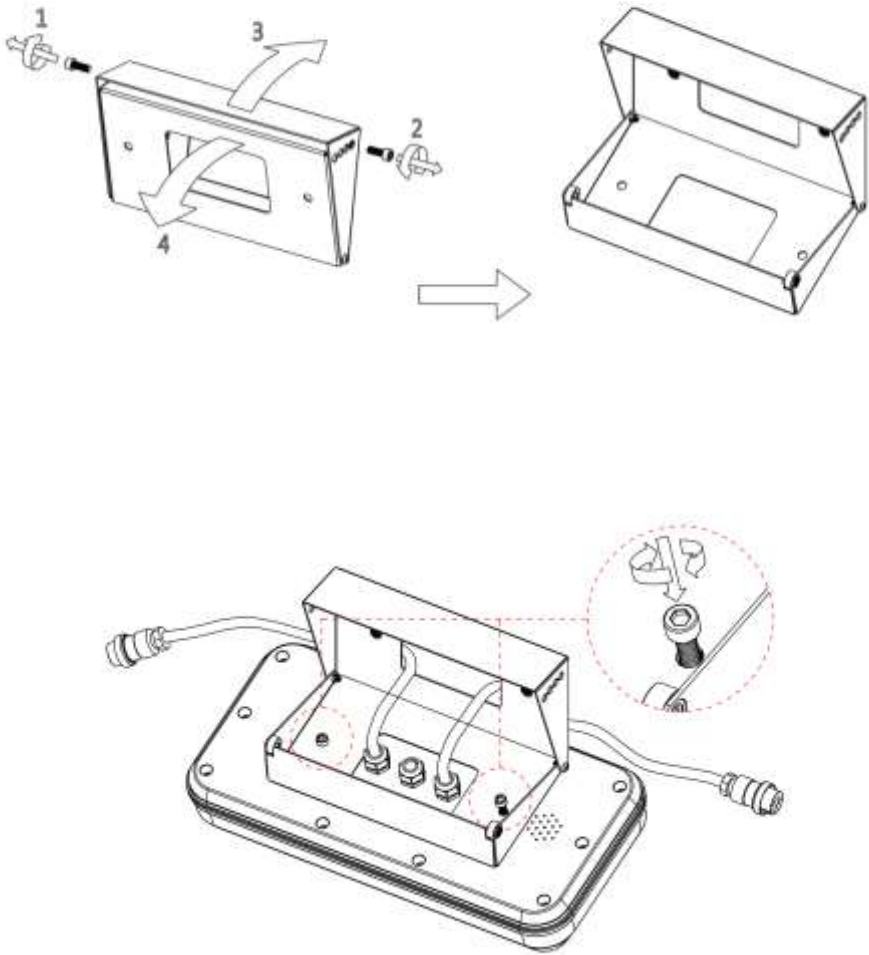
➤ The removal tips of the beams is shown below.



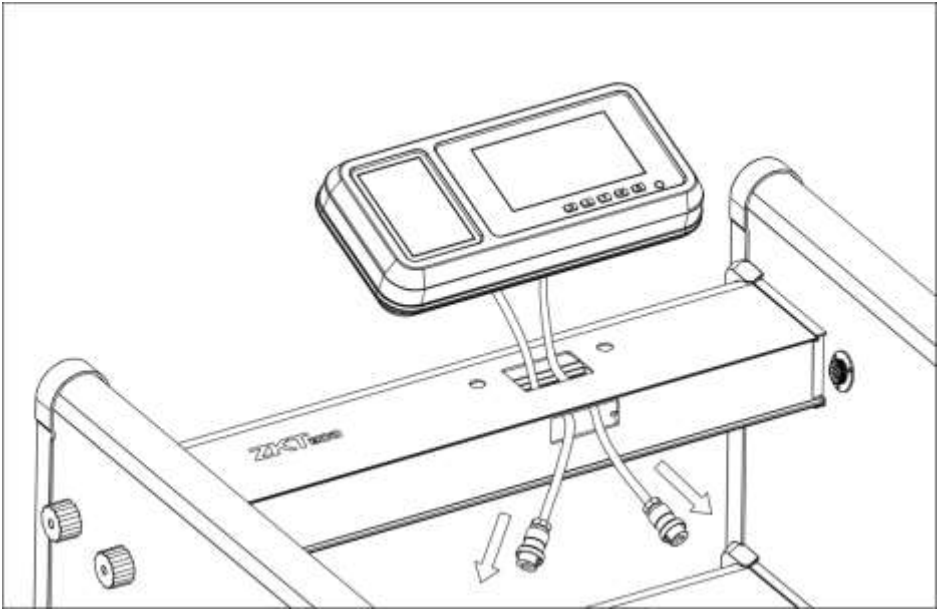
Step 4: Use the bolt to connect the front beam to the left and right door plate and tighten the left and right side bolts, as shown below.



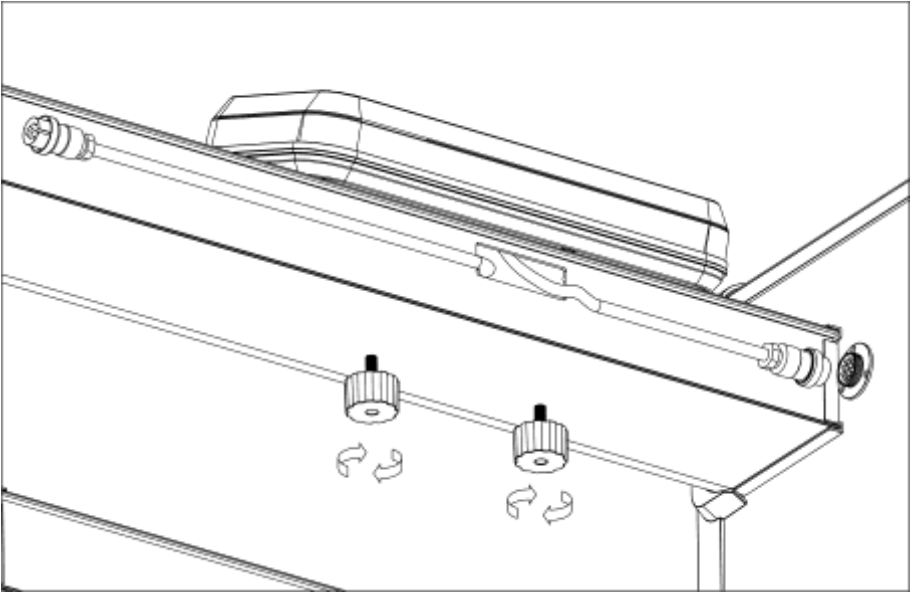
Step 5: Install the host on the adjustable metal bracket, the screws and holes on both sides of the adjustable metal bracket can be fixed and adjust the display Angle of the host, as shown below.



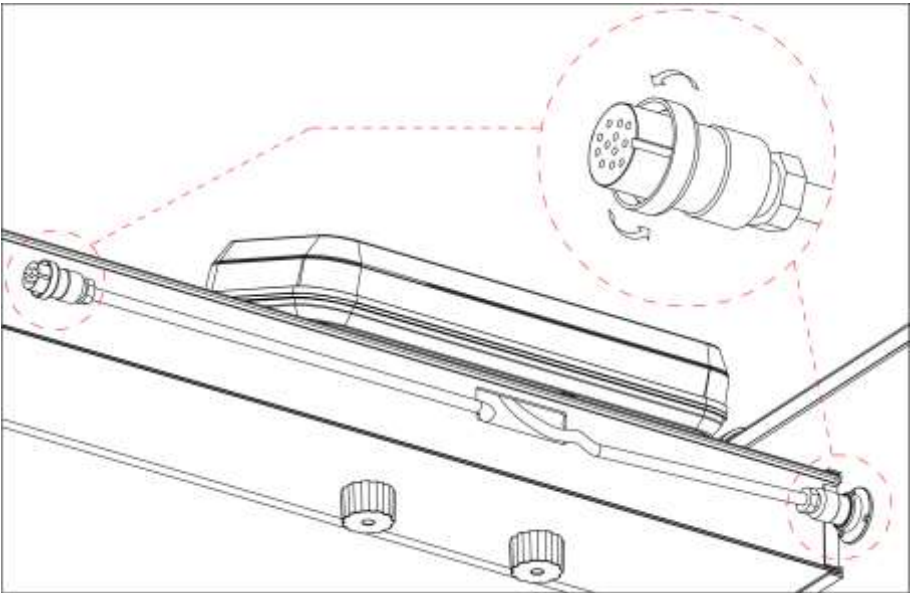
Step 6: Pass the host signal line through the beam hole, as shown below.



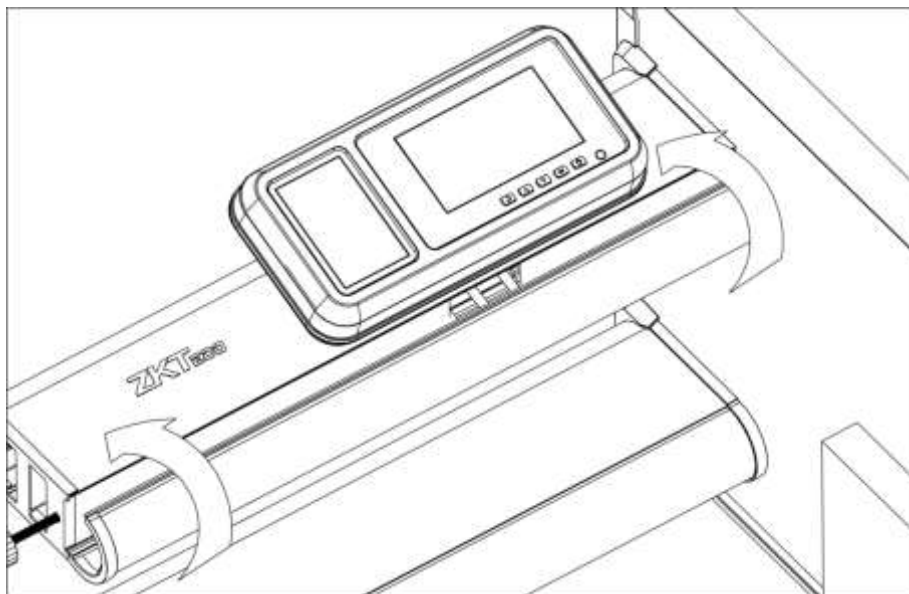
Step 7: Connect the host to the front beam with bolts, as shown below.
(If you choose a waterproof cover, it can be installed together with host)



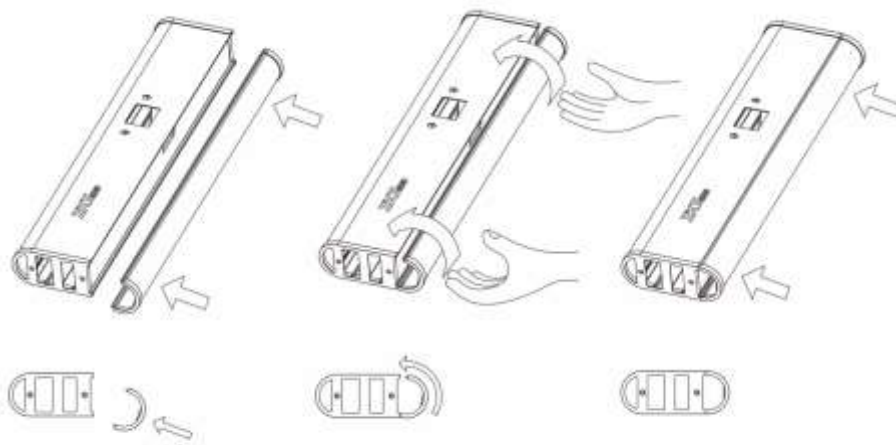
Step 8: Plug in and tightened the signal wire, as shown below.



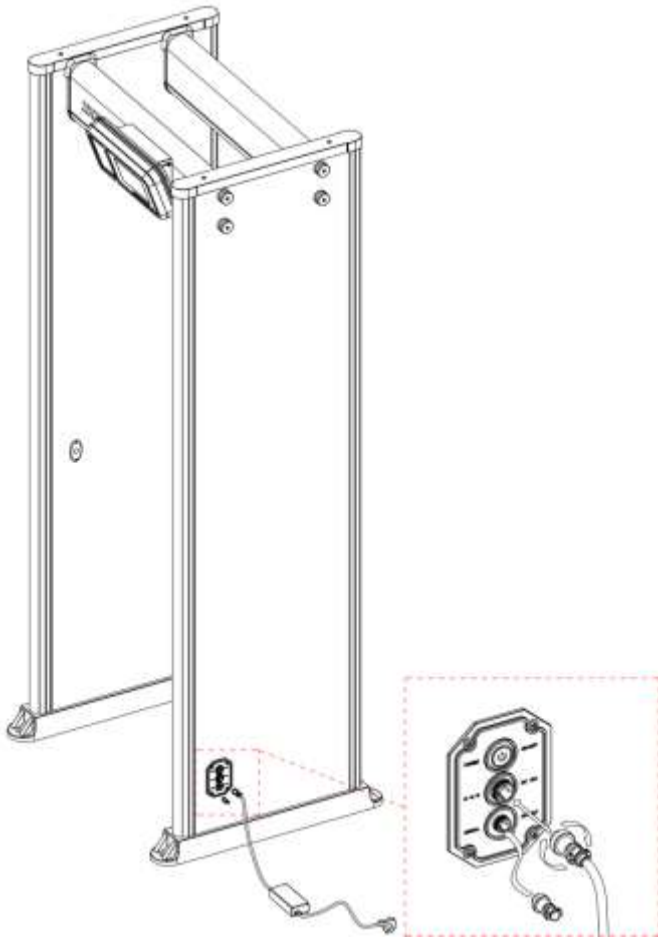
Step 9: Cover the beam, as shown below.



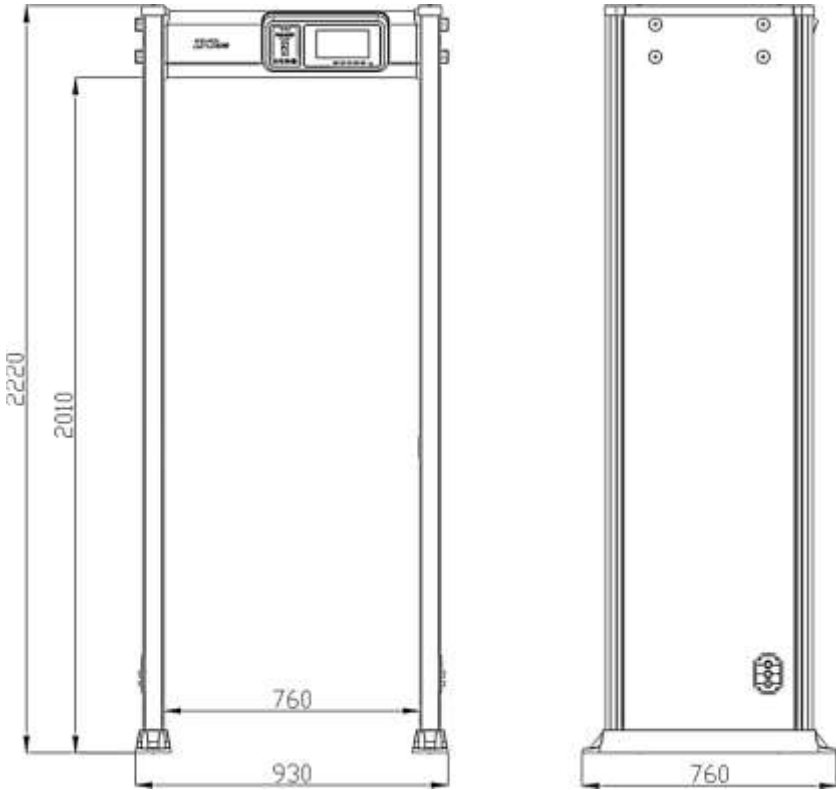
➤ The installation tips of the beams is shown below.



Step 10: Lift the security door and move it to the designated position. Connect the power cord on the side of the door panel and press the power switch to enter the working state, as shown below.



Technical Parameters



Input voltage: 100-240 V, 50/60 Hz

Working temperature: -20°C ~ 50°C

External Dimensions (H x W x D): 2220 mm x 930 mm x 760 mm

Channel Dimensions (H x W x D): 2010 mm x 760 mm x 760 mm

Package Dimensions (H x W x D): 2300 mm x 335 mm x 800 mm

Gross weight: 70 [kg]

Factory Settings

| | |
|-----------------------|---------|
| Default Password | 100000 |
| Audio alarm lasts | 1 S |
| LED alarm lasts | 1 S |
| 1-12 Zone Sensitivity | 220 |
| Overall Sensitivity | 230 |
| Language | English |

