



VULCAN 2 CS

CONVENTIONAL SOUNDER BEACON

MANUAL 220901



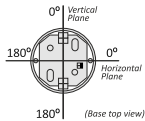
MADE IN PORTUGAL - EU

GLOBAL FIRE EQUIPMENT S.A.

Parque Industrial Municipal da Barracha, 8150-017 São Brás de Alportel - PORTUGAL | Tel: +351 289 896 560
 Email: info@globalfire-equipment.com | Technical Support: techs@globalfire-equipment.com | www.globalfire-equipment.com

TECHNICAL SPECIFICATIONS

SUPPLY VOLTAGE	20V to 30V DC	
SWEEPING TONE 800-1000 Hz	2.5 mA <i>SOUNDER</i>	3.3 mA <i>SOUNDER/BEACON</i>
ALTERNATING HIGH FREQ. 2.7-3.2 KHz	5 mA <i>SOUNDER</i>	6.0 mA <i>SOUNDER/BEACON</i>
CONTINUOUS TONE 800 Hz	2.5 mA <i>SOUNDER</i>	3.3 mA <i>SOUNDER/BEACON</i>
ALTERNATING LOW-FREQ. 800-1000 Hz	2.5 mA <i>SOUNDER</i>	3.3 mA <i>SOUNDER/BEACON</i>
LOOP CURRENT - BEACON	Beacon 2.5 mA	
MAX. SOUNDER OUTPUT / MAX. CABLE SIZE	98dB (@ 1 meter - 30V DC) / 0.5-2.5 mm ²	
SENSITIVITY / PROTECTION	According to EN54-3 / IP21C - Type A - Indoor use	
OPER. TEMPERATURE / MAX. HUMIDITY	-10°C to 55°C / 95% RH Non-Condensing	
COLOUR / CASE MATERIAL	Red or White / ABS - Transparent PC	
DIMENSIONS / WEIGHT	100 (D) x 29 (H) mm - with Lid 37.5 (H) mm / 149 g with Lid	

**Minimum A-weighted sound level (dB) at 1m distance****A-weighted sound level (dB) 20V DC – Vertical plane**

Angle of radiation (°)	15°	45°	75°	105°	135°	165°
TONE "00"	80,4	71,7	83,8	82,2	74,7	81,1
TONE "01"	77,1	73,8	81,8	81,4	74,5	78,4
TONE "10"	67,3	66	74,4	73,6	67,4	66
TONE "11"	76,8	69,7	80,3	82,1	76,3	79,2

A-weighted sound level (dB) 20V DC – Horizontal plane

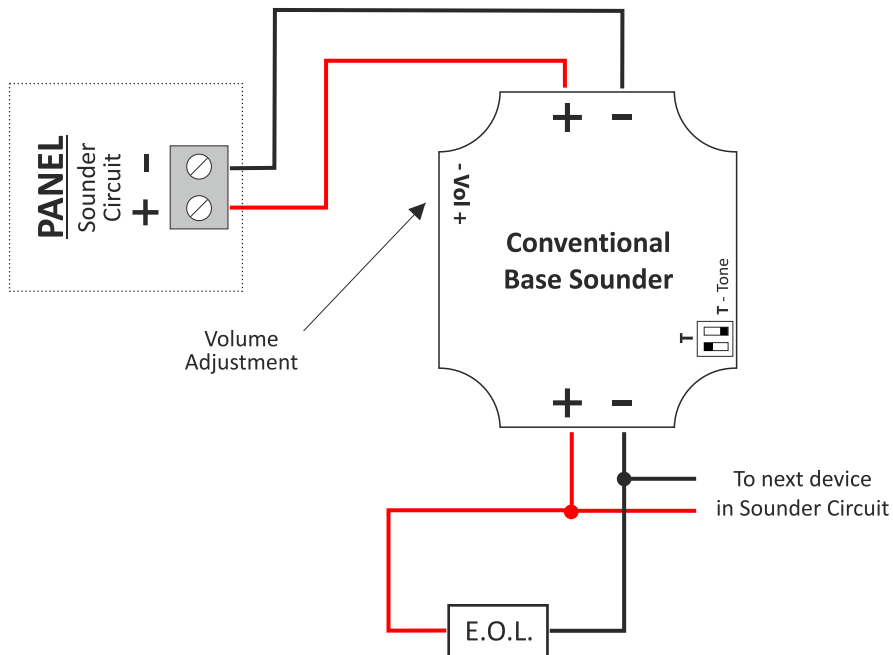
Angle of radiation (°)	15°	45°	75°	105°	135°	165°
TONE "00"	81,8	73,6	83,3	83,3	76,6	82,5
TONE "01"	80,8	73	81,3	80,7	73,9	80,3
TONE "10"	72	66	73,1	73,3	66	69,4
TONE "11"	80,8	75	78,7	80,8	73	78,5

For EN54-13 compliance, please check the control panel manual specifications.

ORDER CODE	DESCRIPTION	CERTIFICATE
VULCAN 2 CS	CONVENTIONAL BASE SOUNDER	1328-CPR-0289
VULCAN 2 CSB	CONVENTIONAL BASE SOUNDER WITH BEACON	0359-UKCA-CPR-00196

CONNECTIONS

Please note that this device is polarised.



NOTE:

Only last device in Sounder Circuit should have e.o.l (end of line)
fitted across + and - terminals.

TONE SELECTION

ON (1)  OFF (0)



ALTERNATING
HIGH-FREQUENCY TONE
2.7 KHz - 3.2 KHz



CONTINUOUS TONE
800 Hz



SWEEPING TONE
800-1000 Hz



ALTERNATING
LOW-FREQUENCY TONE
800-1000 Hz