

# TVW-BB1

## TruVision Wedge Camera back box (used with S6 series of wedge cameras)

### Overview

---

TVW- BB1 back box for indoor and outdoor use. The bracket can be used with the TruVision wedge cameras listed below.

### Used for the following cameras:

---

TruVision S6 wedge range of IP cameras:

- TVW-5601
- TVW-5602
- TVW-5603
- TVW-5604
- TVW-5605



### Details

---

- Suitable for TruVision S6 Wedge S6 wedge cameras
- Back box
- Aluminum alloy

# TVW-BB1

TruVision Wedge Camera back box (used with S6 series of wedge cameras)

## Technical specifications

---

### General

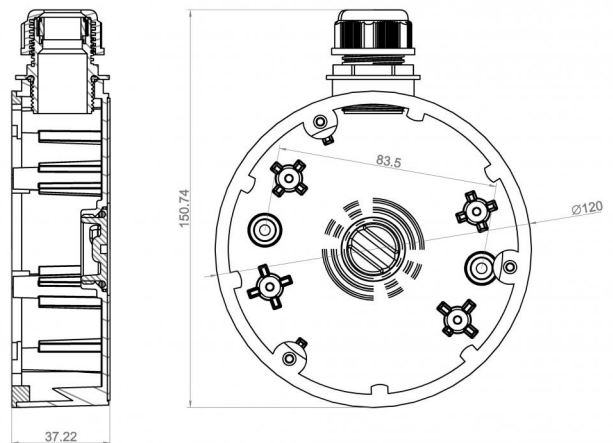
Bracket type	Camera
Camera support type	TruVision wedge domes
Bracket mounting part	Mount connection box
Mount type	Back box
Cable management	Yes

### Physical

Physical dimensions	120 x 150.74 x 37.22 (Ø 120 mm)
Net weight	240 g
Colour	Grey (Pantone 428c)
Material	Aluminium

### Standards & regulation

Compliancy	CE
------------	----



As a company of innovation, UTC Fire & Security reserves the right to change product specifications without notice. For the latest product specifications, visit UTC Fire & Security online or contact your sales representative.

Last updated on 7 October 2020 - 16:39

