



SR 400

Intruder Alarm Siren

Description

SR 400 is an outdoor piezo siren. The siren has blue flash indication and selectable loudness levels. SR 400 is equipped with inner plastic casing and bidirectional tamper for higher protection. The siren comes with built in NiCd battery (9V, 180mA). SR 400 has a flat plastic cover, which is especially suitable for company sticker or logo.



Technical Specifications

Loudness	85 dB/1m (low level); 105 dB/1m (high level)
Power supply	13.8 – 14.2 Vdc
Current consumption	30 mA/ 1.1 A
Battery	9V, 180mA, built in
Frequency	2.8 - 3,1 Khz
Loudspeaker type	piezo
Protection	IK04
Operating temperature	-30°C / +70°C
Housing	ABS plastic box with inner plastic cover
Dimensions	309 x 197 x 40 mm
Weight	1,24kg

Functional Specifications

Inputs	1 ALARM and 1 FIRE
Programmable connection type	2 or 3 wire connection
Inner cover	plastic
Tamper switch	built – in and bi-directional
LED indication	status, blue flash

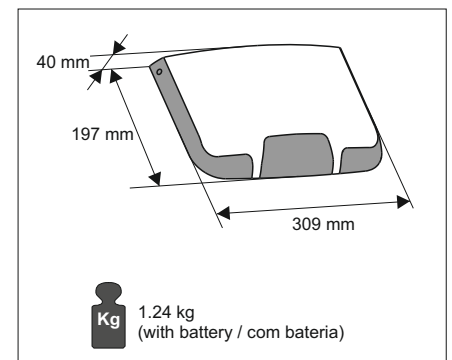


Packing Information

- **Unit box** - 1 units SR 400, dimensions 312 x 200 x 53 mm

Compatible Product Range

- **CA 62** - Intruder Alarm Panel
- **VEGA6/ VEGA6 RF** - Intruder Alarm Panels
- **ECLIPSE Series** - Intruder Alarm Panels



Contact Information