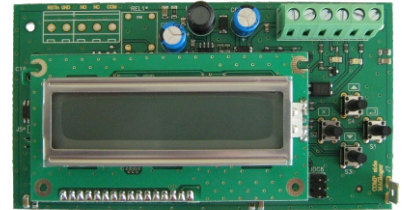


## ML LOG Module 8190

### Description

MAG Logger is a LOG module for recording and viewing of events in MAG8/MAG8Plus Fire Control Panels. All of the events are stored in a non-volatile memory. The LOG module has a real time clock powered from own battery. The information for the events is received by interface with the MAG8/MAG8plus Fire Control Panels. The LOG module can be built-in in the fire panel box (for MAG8Plus) or can be placed in a separate small plastic box (for MAG8).



### Technical and Environmental Specifications

Power supply	17 - 30 VDC
Nominal voltage	24 VDC
Consumption in stand-by mode	25 mA
Consumption with activated backlight	55 mA±2mA
Maximum consumption with activated backlight and relay output	76 mA±2mA
Clock accuracy	max. 7 sec/month
Number of memory events	8190
Multi language menus	YES
Dimensions PCB	125x66mm

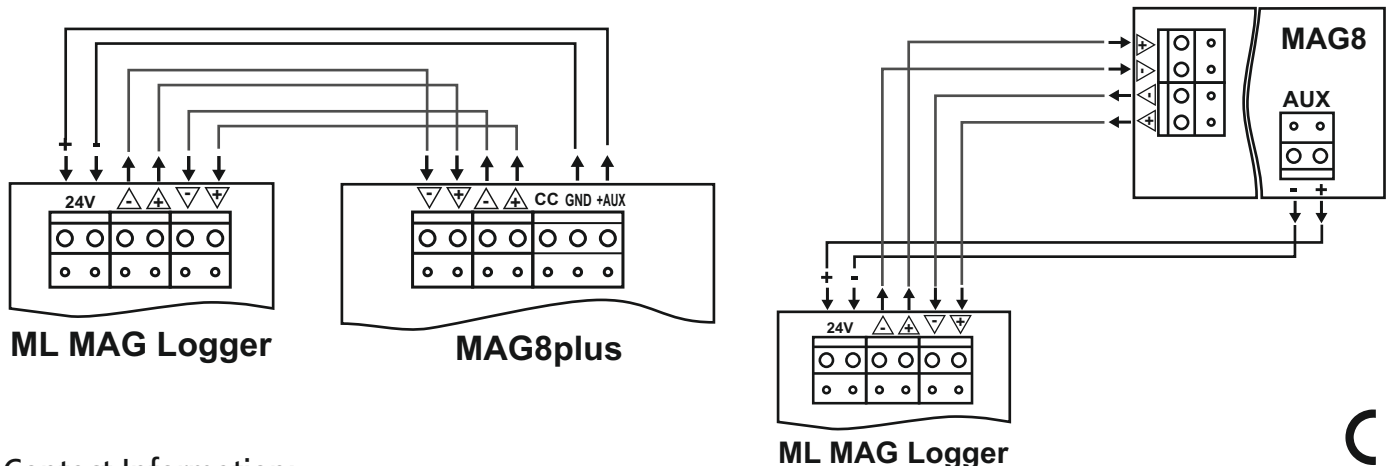
### Packing Information

- **Single packing box** - 1 unit ML LOG module, dimensions 144x132x32mm
- **Small Plastic Box SB-U** (with mounted Logger) - 1 unit, dimensions 182x132x43mm

### Compatible Product Range

- **MAG8 / MAG8Plus** - Conventional fire alarm panels

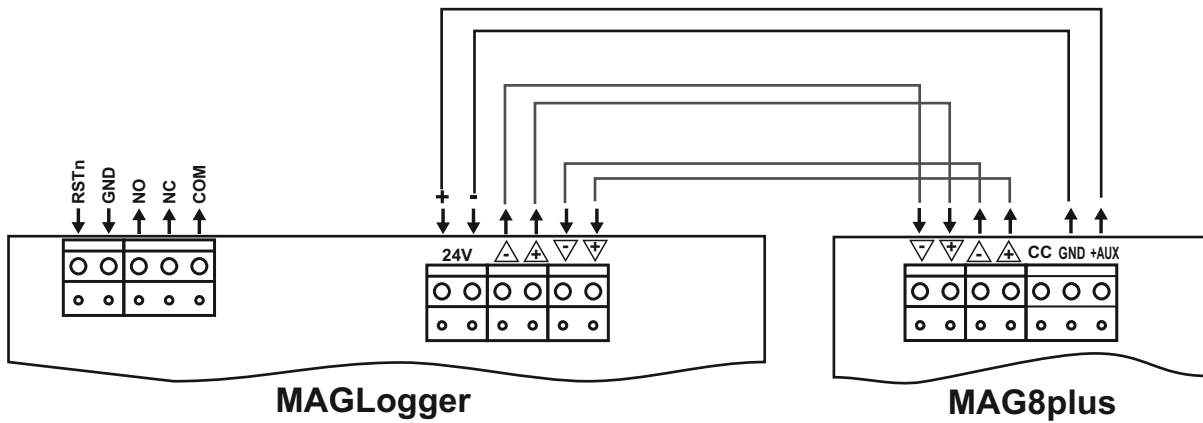
### Connection Diagram of ML MAG Logger to MAG8 / MAG8Plus



### Contact Information:

## ML LOG Module

### ● Connection diagram



### ● Contact Information: