

SensoIRIS S130 IS Optical-Smoke Fire Alarm Detector

EN54-7/ 17

Description

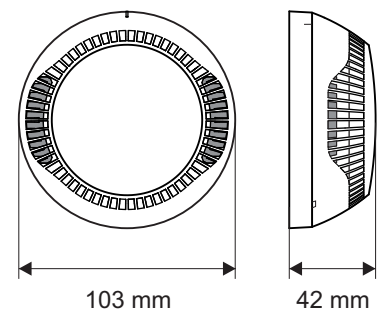
SensoIRIS S130 IS, is an addressable optical-smoke detector with built-in isolator module, designed for installing in addressable fire alarm systems supporting TTE communication protocol.
The detector is powered on from the panel and can be controlled via the communication protocol.



Technical and Environmental Specifications

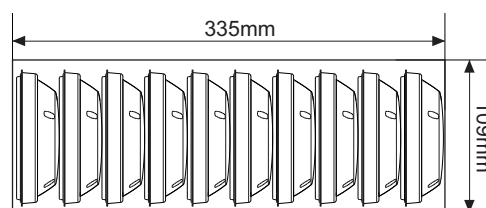
Operating Voltage Range	16-32VDC (Nom. 27VDC)
Consumption in quiescent state, no communication . . .	< 190µA@27VDC
Consumption in quiescent state, with communication . .	< 310µA@27VDC
Consumption in alarm state, with communication	6.5mA
Sensitivity, selectable from the control panel	High/ Normal/ Middle/ Low
Output in alarm state at terminal RI (terminals 4/ 1) . .	7.5 mA (max)/ 7.5V
Wire Gauge for terminals	0.4mm ² - 2.0mm ²
Operating temperature	-10°C to +60°C
Relative humidity resistance	(93 ± 3)% @ 40°C
Protection	IP30*
Weight (including base)	~125g
Dimensions (including base)	103x42mm

* Not tested by LPCB



Packing Information

• **Master box** - 10 units SensoIRIS S130 IS, dimensions 335 x 109 x 109 mm, without base.
All detectors are protected with a plastic cap.



Compatible Product Range

- **IRIS** - Addressable Fire Panel, 4 loops, 96 zones
- **IRIS PRO** - Addressable Fire Panel, metal box, 4 loops, 96 zones
- **SIMPO** - Addressable Fire Panel, 2 loops, 48 zones
- **SensoIRIS FRI-1** - Remote Fire Indicator
- **SensoIRIS B124** - Standard Base
- **SensoIRIS BSOU** - Addressable base with built-in sounder
- **SensoIRIS BSST** - Addressable base with built-in sounder and strobe
- **DeepBase W** - Deep Base Accessory, white, for mounting on rough surfaces, outdoor pipelines, etc.
- **SensoIRIS Programmer** - Address Programming Tool

Contact Information