

SensoIRIS MIO22 Input-Output Module

EN54-18

Description

SensoIRIS MIO22 is an addressable input-output module, designed for application in addressable fire alarm systems, supporting TTE communication protocol.

The module monitors 2 analogue input signals and controls 2 relay outputs.

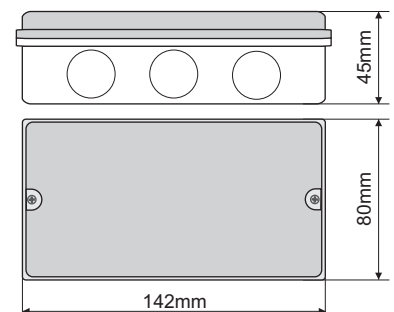
SensoIRIS MIO22 is powered on from the fire panel and can be controlled via the communication protocol.

The module is mounted in a separate small plastic box suitable for wall mounting, with transparent cover for visual inspection.



Technical and Environmental Specifications

Operating Voltage Range	15 - 32VDC
Consumption, stand-by mode	200µA@27VDC
Nom. current consumption	260µA@27VDC
Outputs, electrical characteristics (max.)	DC 30V/1A; AC 125V/0,5A
Current consumption with 1 LED on	3,5mA
Current consumption with 2 LEDs on	7mA
Wire Gauge for terminals	0.4mm ² - 2.0mm ²
Operating temperature	-10°C to +60°C
Relative humidity resistance	(93 ± 3)% @ 40°C
Protection	IP67
Weight	~230g
Material (plastic), color	ABS, White
Dimensions (including base)	142 x 80 x 45mm



1293-CPD-0258

Packing Information

- **Single packing** - 1 unit SensoIRIS MIO22, packed in ESD protected envelope.
- **Carton packing box** - 48 units SensoIRIS MIO22, dimensions 496 x 305 x 206 mm.

Compatible Product Range

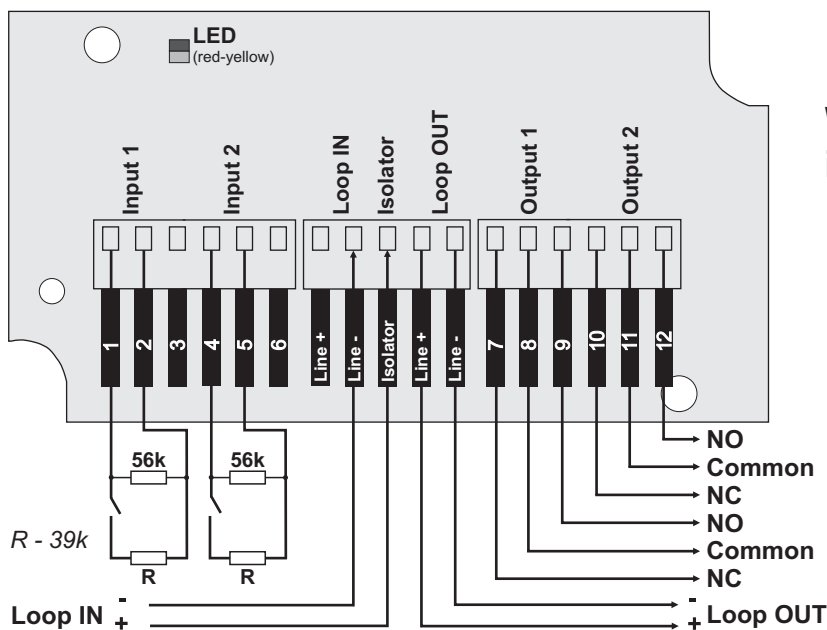
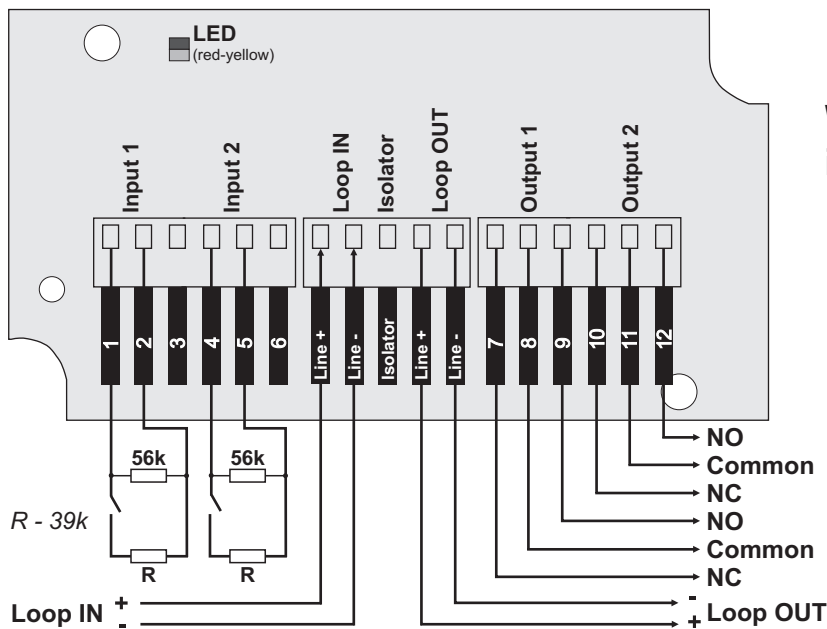
- **IRIS** - Addressable Fire Panel
- **IRIS TTE Loop** - Loop Expander for one loop
- **SensoIRIS Programmer** - Address Programming Tool

Contact Information

SensoIRIS MIO22 Input-Output Module

EN54-18

Connection Diagrams



Contact Information