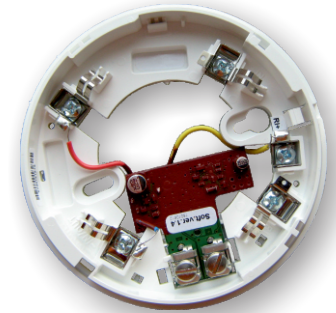


SensoIRIS MC-D Conventional Detectors Module

EN54-18

Description

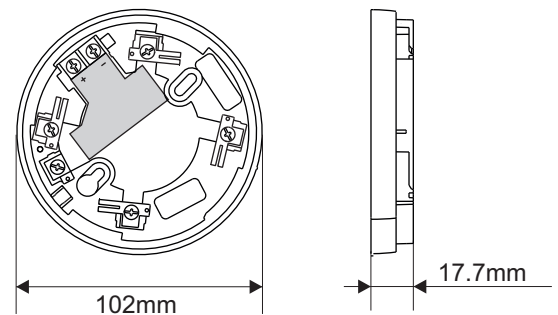
SensoIRIS MC-D is an addressable base for using with conventional detectors SensoMAG. The module is designed for application in addressable fire alarm systems, supporting TTE communication protocol. SensoIRIS MC-D is powered on from the fire panel and can be controlled via the communication protocol.



1293-CPD-0259

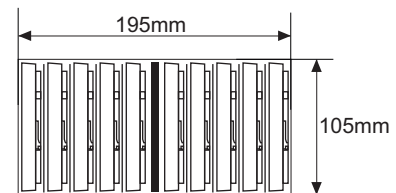
Technical and Environmental Specifications

Operating Voltage Range 15 - 32VDC
 Max. current consumption 370 μ A@27VDC
 Nom. current consumption 200 μ A@27VDC
 Current consumption in Fire mode. 5.5mA
 Wire Gauge for terminals 0.4mm² - 2.0mm²
 Operating temperature -10°C to +60°C
 Relative humidity resistance (93 \pm 3)% @ 40°C
 Weight ~55g
 Material (plastic), color. ABS, White
 Dimensions 102 x 17.7mm



Packing Information

• **Master box** - 10 units SensoIRIS MC-D, dimensions 195 x 105 x 105 mm. Additional separators are included in the master box for higher security during transportation.



Compatible Product Range

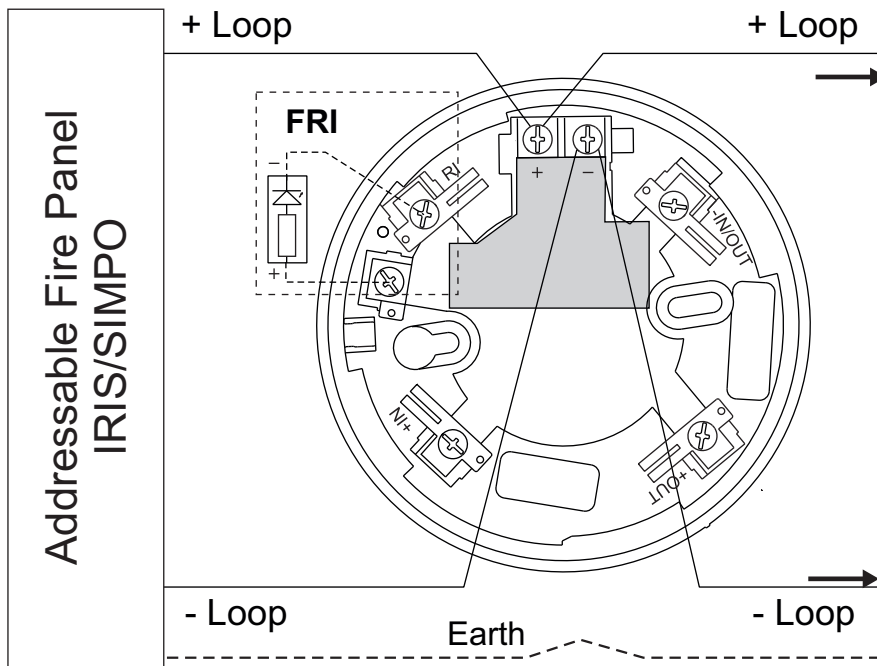
- **IRIS** - Addressable Fire Panel, 1-4 loops
- **SIMPO** - Addressable Fire Panel, 1-2 loops
- **SensoIRIS Programmer** - Address Programming Tool
- **SensoMAG Conventional Detectors** - SensoMAG T10, R20, S30, M40.
- **SensoMAG FRL-1** - Remote Fire Indicator

Contact Information

SensoIRIS MC-D Conventional Detectors Module

EN54-18

● Connection Diagram



● Contact Information