

MANUAL 240621

GFE-MCPE-C-IP67

CONVENTIONAL MANUAL CALL POINT - OUTDOOR USE



MADE IN PORTUGAL - EU

GLOBAL FIRE EQUIPMENT S.A.

Sítio da Barracha, Parque Industrial Municipal Caixa Postal 610-A, 8150-017 São Brás de Alportel, Portugal | Tel: +351 289 896 560
 Mail: info@globalfire-equipment.com | Technical Support: techs@globalfire-equipment.com | www.globalfire-equipment.com

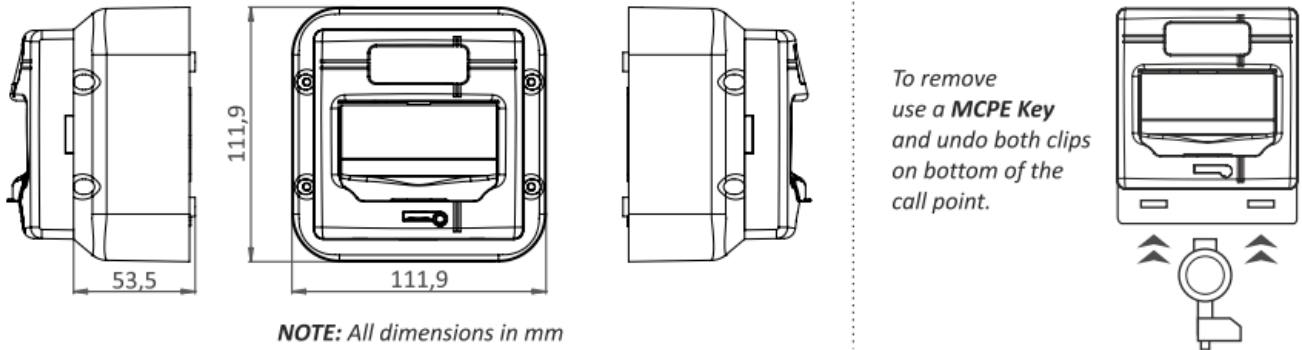
TECHNICAL SPECIFICATIONS

OPERATING VOLTAGE	10V to 30V DC
CURRENT QUIESCENT	200µA
CURRENT ALARM	50mA @ 24V DC nominal -Alarm resistance 470 Ohms max.
TEMPERATURE: OPERATING / STORAGE	-10°C to +55°C / -30°C to +60°C
STANDARDS	According to EN54-11
PROTECTION	IP67 - Type A - Outdoor Use / Bucins: M20x1.5 IP65 4-9mm (recommended)
CABLE SIZE / MAX. HUMIDITY	0.5-1.5mm ² / 95% RH Non-Condensing @ 40°C
COLOUR / CASE MATERIAL	Red / ABS & Clear/ PC - Flame Retardant - Rating 94V0
DIMENSIONS - SURFACE MOUNTED	111,9 (W) x 111,9 (H) x 81,3 (D) mm
WEIGHT	262 g includes back box and fixings
COMPATIBILITY	All GFE conventional systems
INSTALLATION	Wall mounting

For EN54-13 compliance, please check the control panel manual specifications.

ORDER CODE	DESCRIPTION	CERTIFICATE
GFE-MCPE-C-IP67	CONV. MANUAL CALL POINT IP67 - OUTDOOR USE	1328-CPR-0373 / 0359-UKCA-CPR-00199

MECHANICAL SPECIFICATION



CONNECTIONS

NOTE: This device is polarised.

Please ensure that both connections are kept on the same terminal as shown on the diagram.



End Of Line EOL must be fitted to the last device - 10uF/50V bipolar capacitor for all GFE Conventional Panels.