

DT8320 SERIES

DT8320F4, DT8320AF4, DT8320F4-SN
and DT8320AF4-SN

Ceiling Mount Dual Tec® Motion Sensor with Mirror Optics and Anti-Mask*

Designed for high security commercial indoor environments and large residences, the new ceiling mount DT8320 DUAL TEC® motion detector series with anti-mask* technology quickly detect intentional and accidental masks or attempts to block the detector, ensuring a trouble condition is immediately sent to the control panel. A 360° field-of-view and an extremely dense and wide detection coverage reduces the need for multiple detectors. Anti-masking technology combined with Honeywell patented sensing technologies, high quality mirror optics and microprocessor-based DualCore signal processing, will improve catch performance and reduce false alarm and trouble conditions.

Beneath the two-piece, easy-open enclosure, installers will find easy access to the wiring terminal and built-in features which simplify the installation experience and reduce installation time. Furthermore, the new detectors come equipped with integrated EOL resistors with easy selectable DIP switches** or two wire V-Plex® technology***. A flexible mounting height adjustment dial and an enhanced flash light walk test will reduce time and trips up and down the ladder.

* DT8320AF4 and DT8320AF4-SN only

** DT8320F4 and DT8320AF4 only

*** DT8320F4-SN and DT8320AF4-SN only



FEATURES AND BENEFITS

HIGH DETECTION COVERAGE

360° field-of-view, extremely dense and wide detection coverage compared to the similar products of the market.

MIRROR OPTICS

Mirror optics provide the most reliable technology, offering the best detection/false alarm ratio.

V-PLEX® PATENTED POLLING LOOP TECHNOLOGY

DT8320F4-SN and DT8320AF4-SN sensors are compatible with Honeywell control panels that support V-Plex devices, using two-wire loop technology which offers significant advantages over peer-to-peer wiring or the conventional four-wire multiplex to save you time and money.

ON-BOARD EOL RESISTORS***

No need to add external resistors for zone supervision. Simply flip a DIP switch to suit your control panel.

REMOVABLE TERMINAL STRIP

Our new, easy-access removable connector provides flexible wiring and easier mounting during installation.

ALARM AND TAMPER

The DT8320 Series is equipped with a energized Alarm Relay (Form A), Trouble Relay (Form B) and a Cover and Wall Tamper Relay (Form A) for maximum detection reliability.

DIGITAL ADAPTIVE MICROWAVE THRESHOLDS

DT8320 Series digitally adjusts thresholds to account for room disturbances such as ceiling fans and other repetitive moving objects. The result – excellent false alarm immunity even in “active” rooms.

SELF-TEST PATENTED SOLUTION

The detector tests the full microwave circuit periodically by sending and receiving a test signal. In case of any anomaly, the detector triggers the anti-mask/trouble relay.

ADVANCED DUALCORE SIGNAL

Processing (DUAL TEC®) Supports a multitude of advanced functions, including concurrent diagnostics, digital fluorescent light interference filter, digital adaptive microwave threshold, adaptive baselines and bidirectional temperature compensation.

SUPERIOR IR ANTI-MASK PROTECTION*

Highly sensitive active infrared anti-masking feature can easily detect blocked, sprayed, or obstruction attempts to disable the detector.

PIR WHITE LIGHT IMMUNITY

A patented black bug guard reduces false alarms by providing 6,500 lux of white light immunity. This helps reduce false alarm problems caused by lights, flashlights or reflective objects.

COVERAGE PATTERN MASKING

A set of 60° masks are provided for masking undesired areas (60°, 120°, 180° or 240°).

FLASHLIGHT WALK TEST

Reduces installation time as the walk test can be enabled by simply waving a flashlight at the detector. Automatically times out.

VIBRATION PATENTED SOLUTION

Built-in shock feature. In case of vibration, this component overrules the PIR signal and assures the device stays in dual mode permanently.

QUICK AND EASY INSTALLATION

Integrated screws, adjustable mounting slots and a rotating mounting height adjustment dial enable a quick and easy installation for nearly all surfaces and ceiling heights.

FLEXIBLE MOUNTINGS

Surface or flush mount on ceilings (flush mount kit DT8300-FMK optionally available); The range is obtained at a mounting height of 2.4m (8') to 8m (26'). Max. detection range at 8m (26') is Ø 2.1m (7').

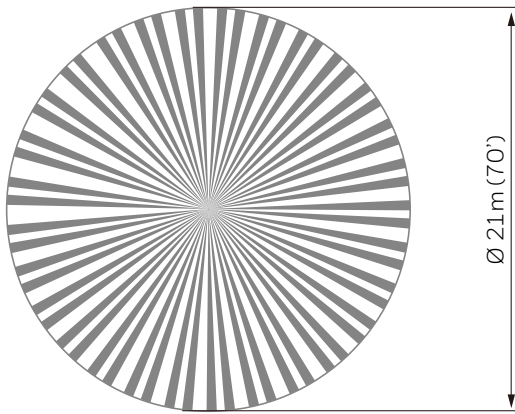
* DT8320AF4 and DT8320AF4-SN only

***DT8320F4 and DT8320AF4 only

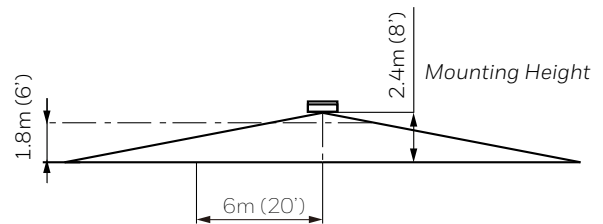
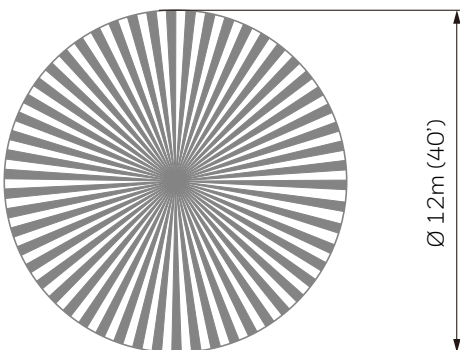
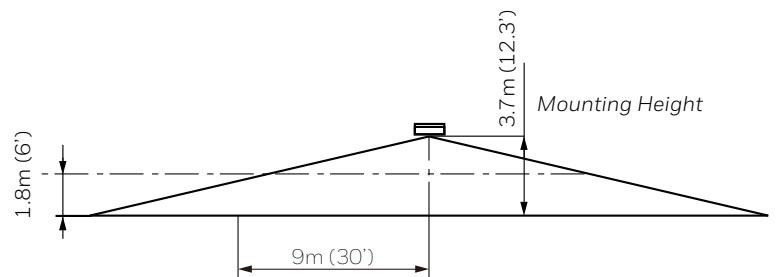
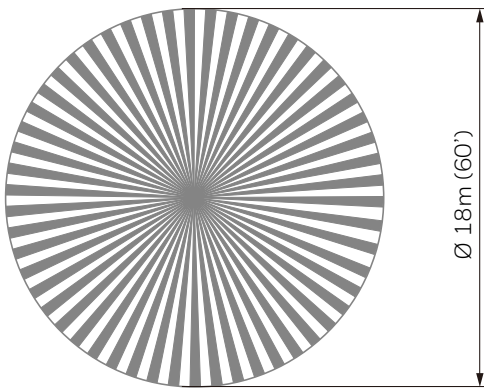
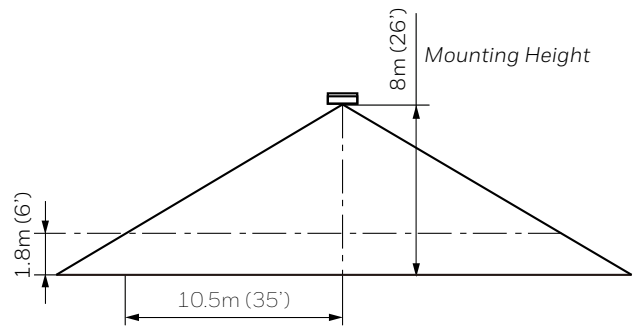
CEILING MOUNT DUAL TEC® MOTION DETECTORS WITH MIRROR OPTICS AND ANTI-MASK*

DETECTION PATTERNS

Top View



Side View



CEILING MOUNT DUAL TEC® MOTION DETECTORS WITH MIRROR OPTICS AND ANTI-MASK*

SPECIFICATIONS

DT8320F4, DT8320AF4, DT8320F4-SN AND DT8320AF4-SN

Range	360° Ø 21m (70') max.
Mounting Height	2.4m to 8m (8' - 26')
IP Rating	IP30
Power	9.0 - 15 VDC; 10 mA typical, 20 mA max. @ 12 VDC; V-Plex version: 9.0 - 15 VDC; 6 mA standby, 20 mA max. @ 12 VDC
AC Ripple	3 V peak-to-peak at nominal 12 VDC
Tampers	Cover and Wall; (NC with cover installed) Form A; 30 mA, 25 VDC; Magnetic field
Microwave Frequencies	10.525GHz
RFI Immunity	20V/m, 80MHz-1GHz
PIR White Light Immunity	6,500 Lux typical
Fluorescent Light Filter	50 Hz / 60 Hz
Operating Temperature	-10 - 55 °C (14 - 131 °F)
Relative Humidity	5 to 95%; Non-condensing
Temperature Compensation	Advanced Dual Slope
Alarm Relay (DT8320F4 and DT8320AF4 only)	Energized Form A; 30 mA, 25 VDC, 22 Ohms resistance max
Alarm Relay Duration (DT8320F4 and DT8320AF4 only)	3 seconds
Trouble Relay	Energized Form B; (NC) 30 mA, 25 VDC; 22 Ohms resistance max.
Dimensions	14.8cm x 16.2cm x 4.7cm (5.8" x 6.4" x 1.8")
Weight	440g/15.5 oz
Approval Listings	DT8320F4 and DT8320F4-SN: EN50131-2-4:2008, Security Grade 2, Environmental Class II, NF&A2P two shields DT8320AF4 and DT8320AF4-SN: EN50131-2-4:2008, Security Grade 3, Environmental Class II, NF&A2P three shields

ORDERING

DT8320F4	Dual TEC® Ceiling Mount Motion Sensor with Mirror Optics
DT8320AF4	Dual TEC® Ceiling Mount Motion Sensor with Mirror Optics and Anti-Mask
DT8320F4-SN	V-Plex® DUAL TEC® Ceiling Mount Motion Sensor with Mirror Optics
DT8320AF4-SN	V-Plex® DUAL TEC® Ceiling Mount Motion Sensor with Mirror Optics and Anti-Mask

ACCESSORIES*:

DT8300-FMK*	Flush Mounting Kit
DT8300-CPM*	Coverage Pattern Masking Set (4 x 60° masks)

*Accessories not evaluated by approval

For More Information

www.security.honeywell.com/uk

Honeywell Commercial Security

Aston Fields Road
Whitehouse Industrial Estate
Runcorn
Cheshire
WA7 3DL
Tel: +44 (0)8448 000 235
www.honeywell.com

HSI-DT8320XX-01-UKF4(0719)DS-E
© 2019 Honeywell International Inc.

THE
FUTURE
IS
WHAT
WE
MAKE IT

Honeywell