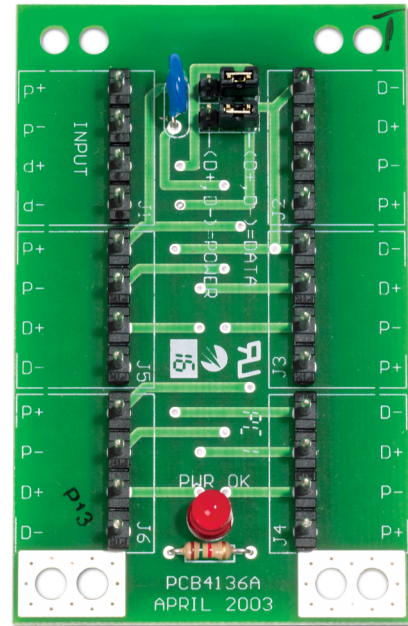


ATS1330

ATS Power Distribution Board

Product Overview

The Power Distribution Board, model ATS1330, provides a simple means of star connecting ATS-bus devices. It is fitted with a single protected input port and five paralleled output ports, providing either the traditional power and comms or power alone. It is a standard board size and provides a power OK LED for easy diagnosis.



Details

- Provides a simple means of star connecting
- Fitted with a single protected input port and five paralleled output ports.
- Traditional power and comms or power alone.
- Provides a power OK LED for easy diagnosis.

ATS1330

ATS Power Distribution Board

Technical specifications

General

Accessory group	Advisor Advanced, ATS Master
Type	Spare part

Physical

Physical dimensions	86 x 54 mm (W x H)
---------------------	--------------------

Environmental

Operating temperature	0 to 50 °C
Relative humidity	95% noncondensing

